

OPERATING AND MAINTANENCE INSTRUCTIONS

MODEL 480 SHEET HEATER



**WARNING - READ INSTRUCTIONS
BEFORE INSTALLATION AND USE**

Electrical Supply

The electrical specification of your new machine is as follows:-

Voltage	380-415V three-phase
Hz	50/60

IMPORTANT

The wires in the mains supply conduit are coloured in accordance with the following code:

Green and Yellow	Earth
Black	Neutral
Red	Live)
Yellow	Live)
Blue	Live)

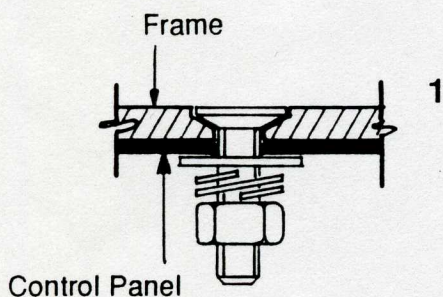
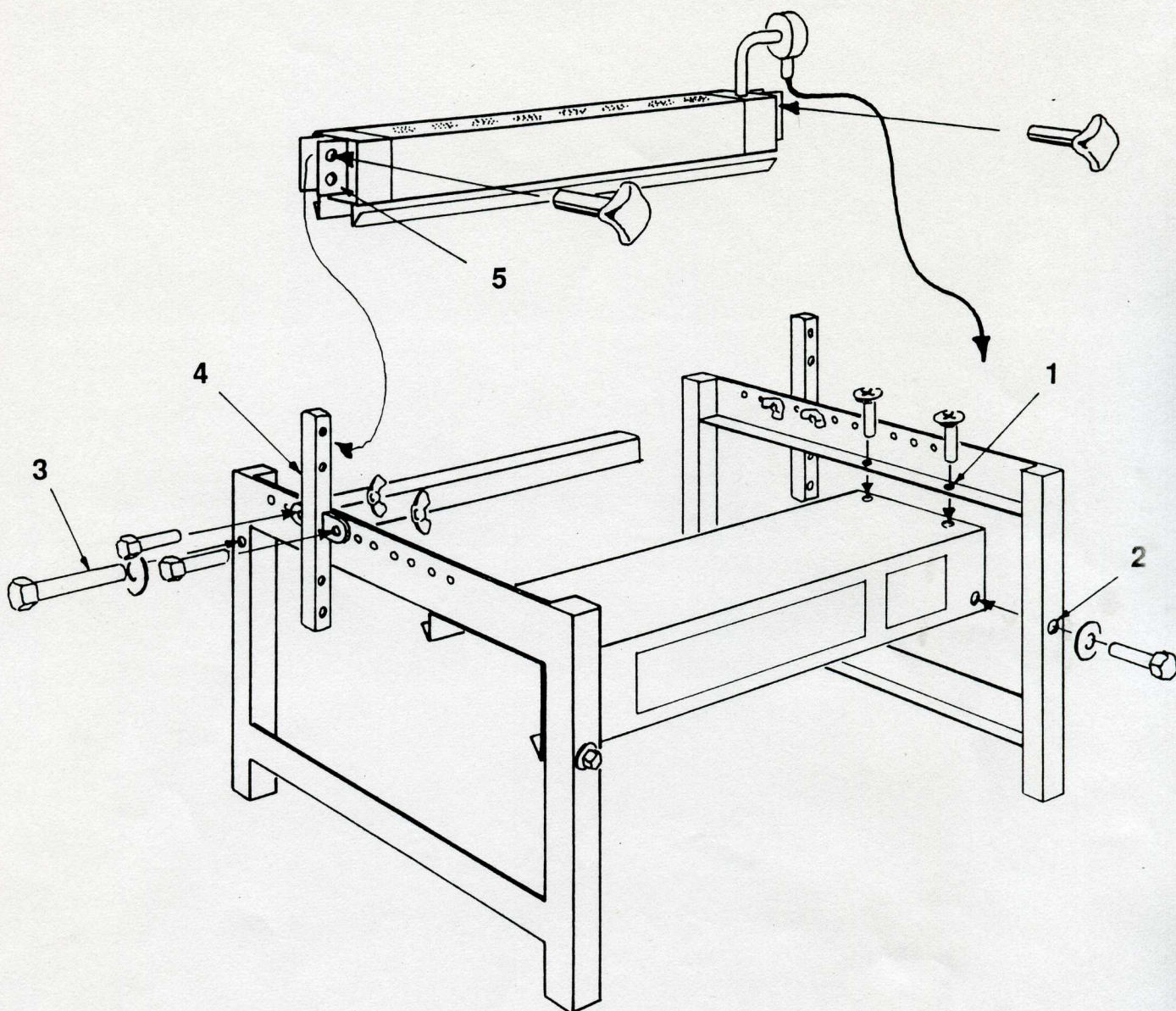
WARNING - THIS APPLIANCE MUST BE EARTHED

THIS MACHINE MUST BE CONNECTED TO A THREE PHASE, NEUTRAL AND EARTH SUPPLY RATED AT 20A AND PROTECTED BY A SUITABLE ISOLATION SWITCH. IF IN DOUBT ABOUT CONNECTION CONSULT A QUALIFIED ELECTRICAL CONTRACTOR.



**WARNING - IF IN DOUBT ABOUT
ELECTRICAL CONNECTION
CONSULT A QUALIFIED
ELECTRICAL ENGINEER**

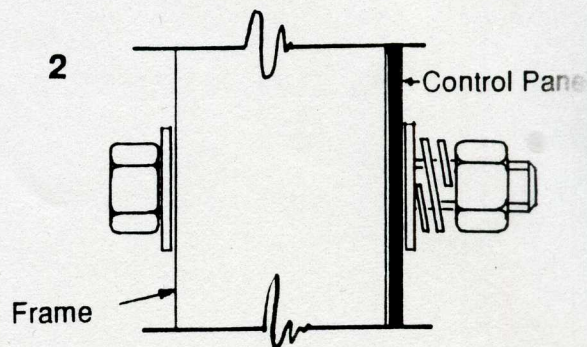
MODEL 240, 380 & 480 ASSEMBLY INSTRUCTIONS

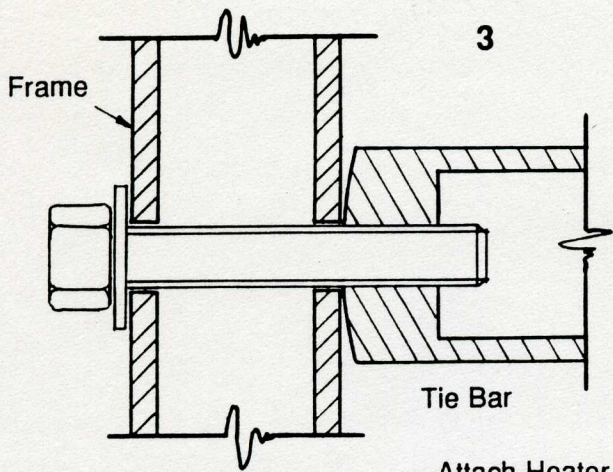


- 1**
- Assemble Frame and Control Panel
 4 Off M6 x 20mm C/S Head Screws
 4 Off Plain Washers
 4 Off Spring Washers
 4 Off M6 Nuts

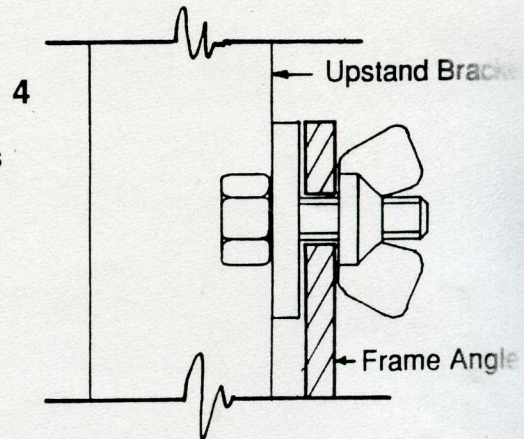
- Secure Front of Control Panel to Frame
 2 Off M6 x 40mm Bolts
 4 Off Plain Washers
 2 Off Spring Washers
 2 Off M6 Nuts

2

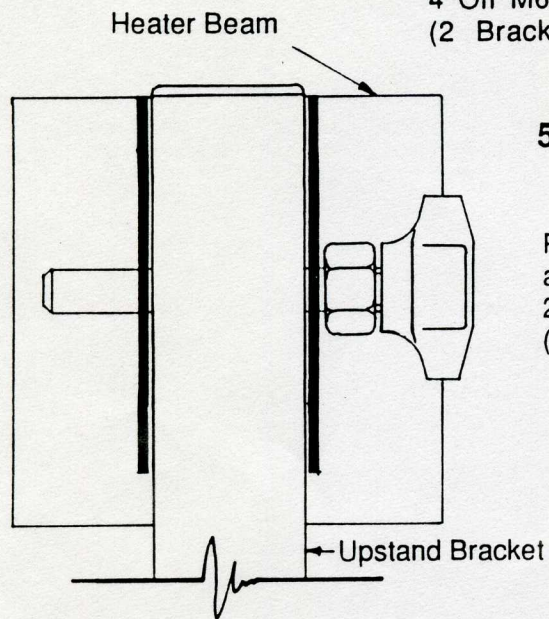




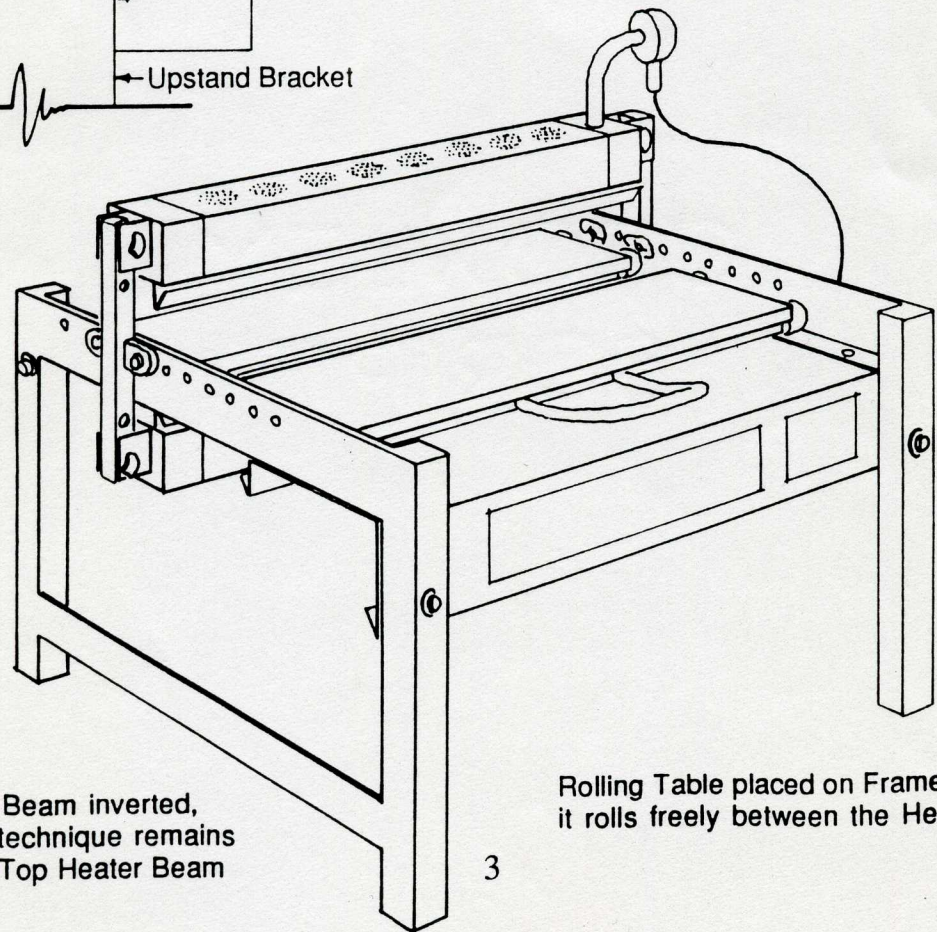
3
 Bolt on Tie Bar
 2 Off M8 x 45mm Bolts
 2 Off Plain Washers



4
 Attach Heater Beam Upstand Brackets
 4 Off M6 x 20mm Bolts
 4 Off M6 Butterfly Nuts
 (2 Brackets)



5
 Place Heater Beam between brackets
 and secure at height required
 2 Off 6mmDIA. Pin with Hand Wheel
 (1 Heater Beam)



Bottom Heater Beam inverted,
 but, assembly technique remains
 identical to the Top Heater Beam
 (see Fig. 5)

Rolling Table placed on Frame Angles so that
 it rolls freely between the Heater Beams

3

